



Patio Wall & Planter

Plan No. 779

Copyright U-Build, Inc., 2001.
All rights reserved. Printed in the U.S.A.

Just the thing to frame a corner of the yard or patio, this patio wall and planter combination is great for hanging plants and flowers while sheltering the barbecue and outdoor dining area from the wind. Out in the yard, it can screen off a corner where garden tools or garbage cans are stored. The planter box is built separately, so the builder can decide whether or not to include it.

The completed wall and planter unit measures about eight feet tall by eight feet long.

NOTES

1. Read all instructions and check materials before beginning work.
2. Read manufacturer's instructions before operating equipment.
3. **Always** wear safety glasses.
4. Redwood is preferred for this project due to its durability and beauty. Douglas fir and pine also make an attractive unit. The prototype pictured was made of Douglas fir and pine.
5. Use wood glue along with finish nails to insure strong joints.
6. Dimensional lumber was used for this project (e.g., the call out is for a 2" x 4", but the actual size is 1 1/2" x 3 1/2"). When selecting the 1" x 6" boards with tongue and groove with v-joint, finished useable surface sizes vary between 5" and 5 1/4". The cutting schedule will assume your boards are 5" wide, finish size.
7. To insure that project assembles properly and is built squarely, use a level and framing square during each assembly step.

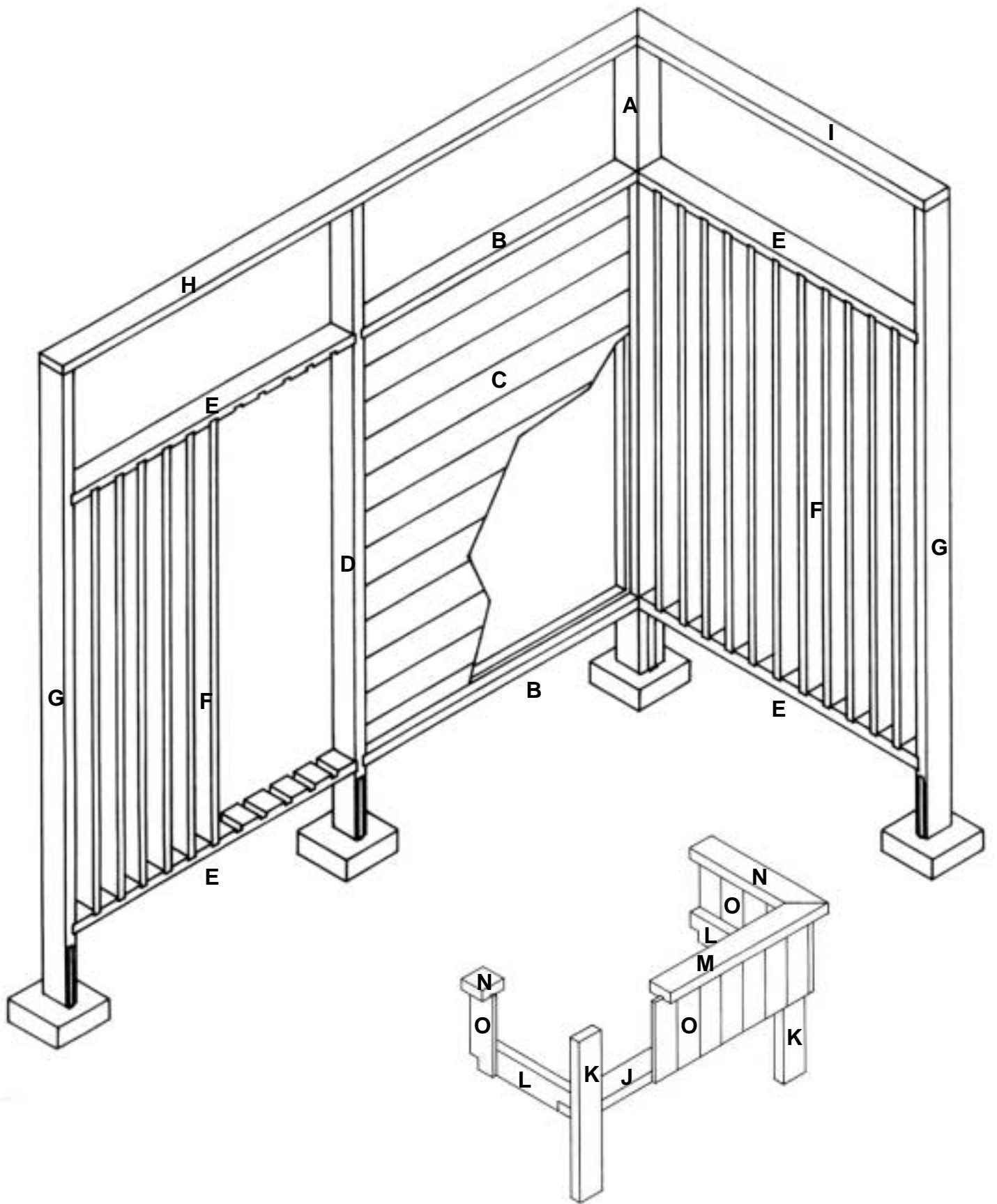
Bill of Material

Quantity	Size	Material
1	4" x 4" x 8'	redwood, cedar or fir
10	2" x 4" x 8'	redwood, cedar or fir
6	1" x 6" x 8'	redwood, cedar or fir
24	1" x 4" x 6'	redwood, cedar or fir
4	8" x 8"	concrete footings
1 small box	1 1/4"	finish nails
1 small box	3"	finish nails
1 small box	8d	galvanized nails
1 bottle		wood glue

Cutting Schedule

Part	Qty	T	W	L	Material
A	1	4"	4"	87"	redwood, cedar or fir
B	2	2"	4"	44 3/4"	redwood, cedar or fir
C	12	1"	6"	44 3/4"	redwood, cedar or fir
D	1	2"	4"	87"	redwood, cedar or fir
E	4	2"	4"	44 3/4"	redwood, cedar or fir
F	22	1"	4"	57 3/4"	redwood, cedar or fir
G	2	2"	4"	87"	redwood, cedar or fir
H	1	2"	4"	95"	redwood, cedar or fir
I	1	2"	4"	49 1/4"	redwood, cedar or fir
J	1	2"	4"	36"	redwood, cedar or fir
K	2	2"	4"	23"	redwood, cedar or fir
L	2	2"	4"	15"	redwood, cedar or fir
M	1	2"	4"	40"	redwood, cedar or fir
N	2	2"	4"	18 1/2"	redwood, cedar or fir
O	20	1"	4"	11 1/4"	redwood, cedar or fir
P	7	1"	4"	16 1/2"	redwood, cedar or fir

*Approximate; check desired mounting height based on distance to the ground.



Construction Diagram
(P not shown)

Assembly Instructions

Page One

Read all instructions before beginning any work. Cut all material to sizes shown in cutting schedule.

1. Space concrete footings as shown in Figure 1. Footings should be set in holes and filled with concrete for stability. Top of footing should be 2" to 3" above the natural grade. Check for level and squareness.

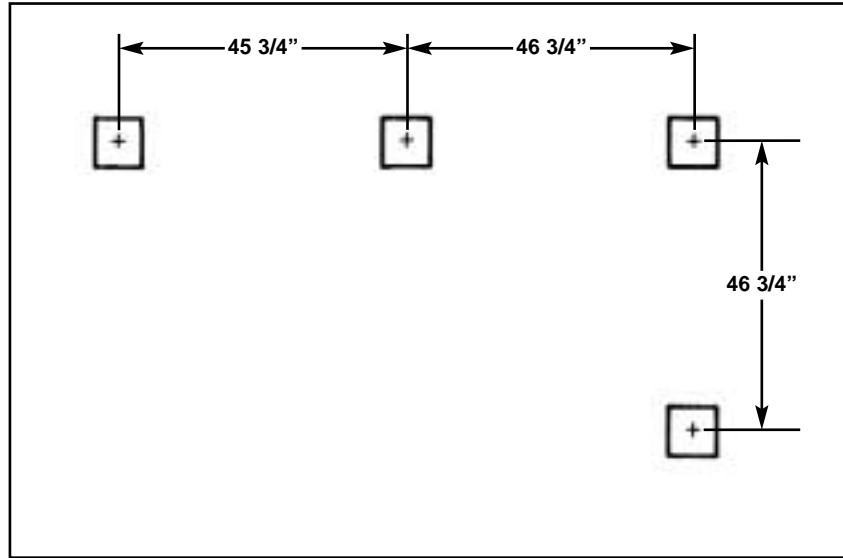


Figure 1
Concrete Footing Layout

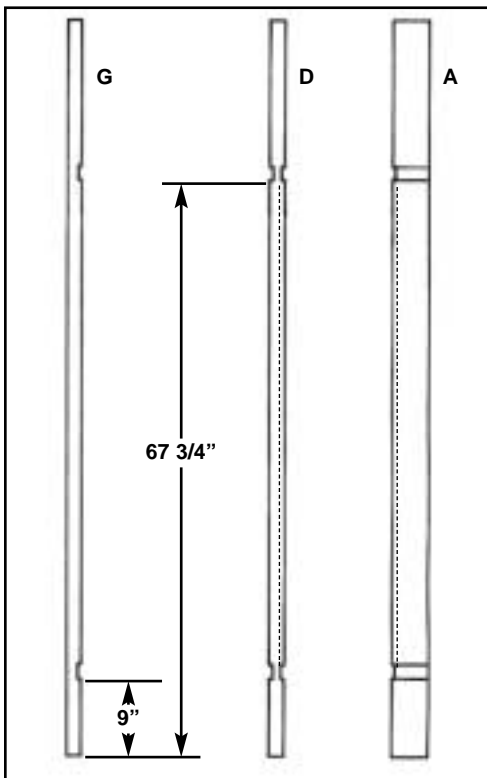


Figure 2

2. Cut 1/4" deep by 1 1/2" wide dados in boards (A), (D) and (G). Cut a 1/4" deep by 3/4" wide dado in boards (A), (B) and (D). See Construction Diagram and Figures 2, 3 and 4.

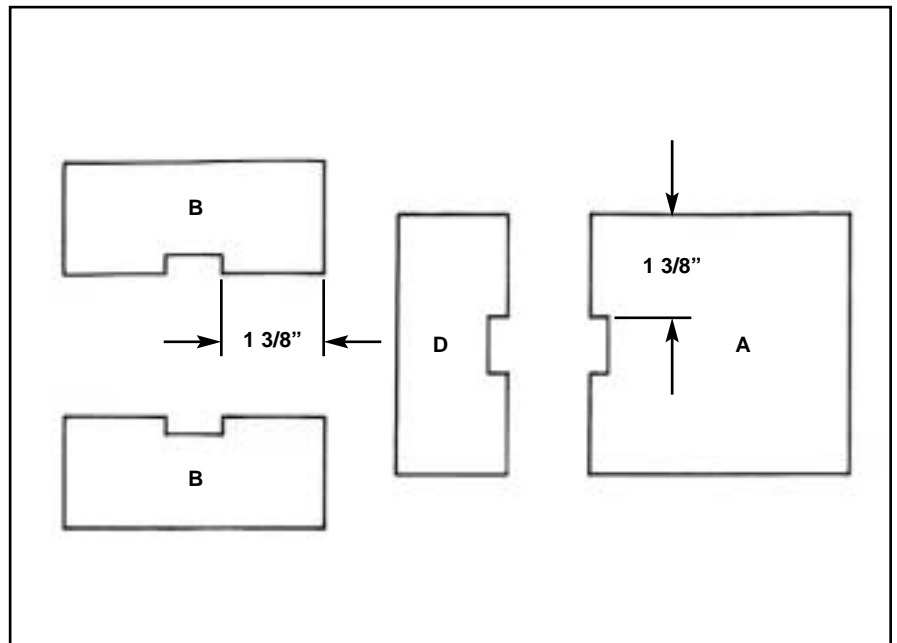


Figure 3

Assembly Instructions

Page Two

Read all instructions before beginning any work. Cut all material to sizes shown in cutting schedule.

3. Cut a 1/4" by 1/4" notch in the end of Boards (B) where they attach to board (A). See Figure 4.

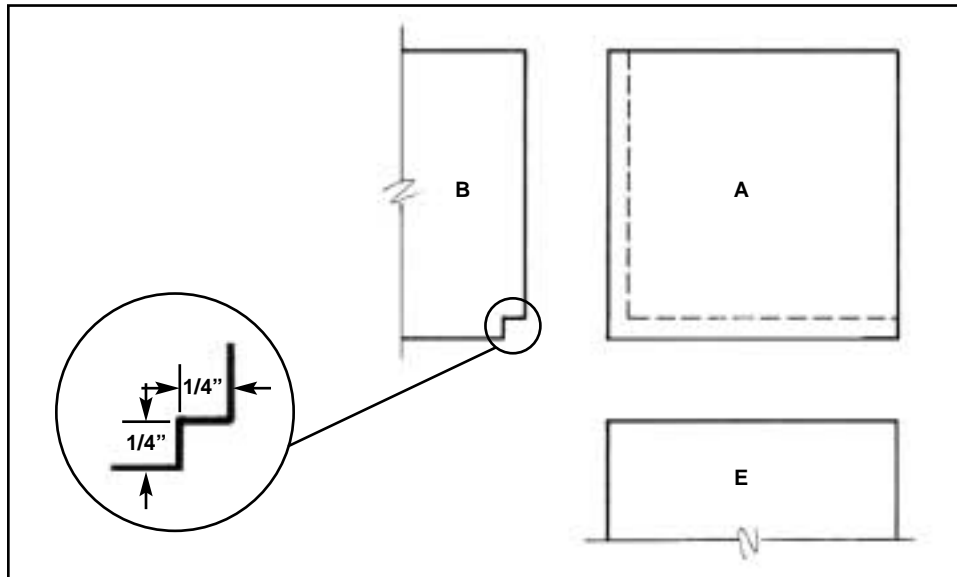


Figure 4

4. Glue and finish nail boards (B) and (C) to (A). See Figures 4, 5 and 6 and the Construction Diagram. Note that you may have to cut the bottom board (C) narrower to fit the length of the groove in boards (A) and (D).
5. Glue and finish nail (D) to (B and C). See Figures 5 and 6 and the Construction Diagram.

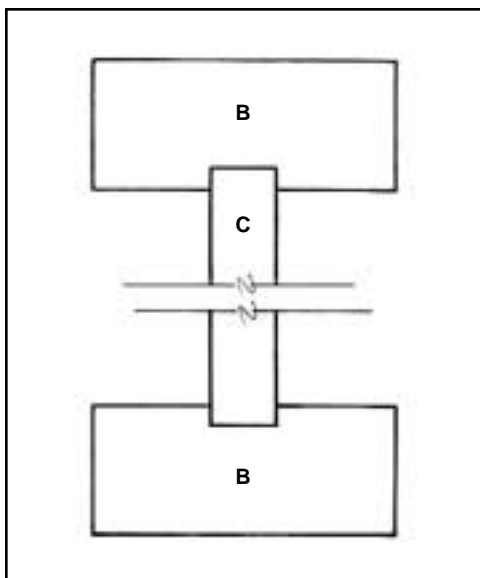


Figure 5

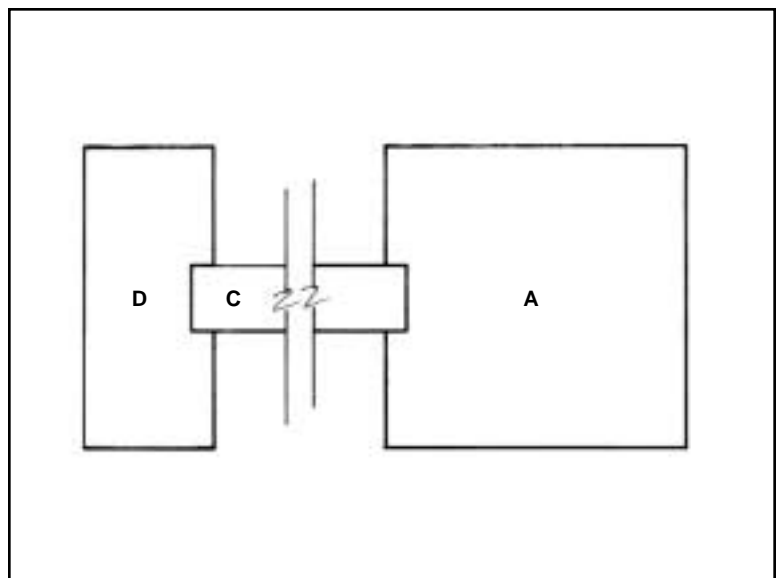


Figure 6

Assembly Instructions

Page Three

Read all instructions before beginning any work. Cut all material to sizes shown in cutting schedule.

6. Nail first panel—created by boards (A), (B), (C) and (D)—to built-in straps on concrete piers. Use a brace to help support panel during construction.

7. Cut 1/4" deep by 3/4" wide dados in boards (E) for slats (F). See Figure 7.

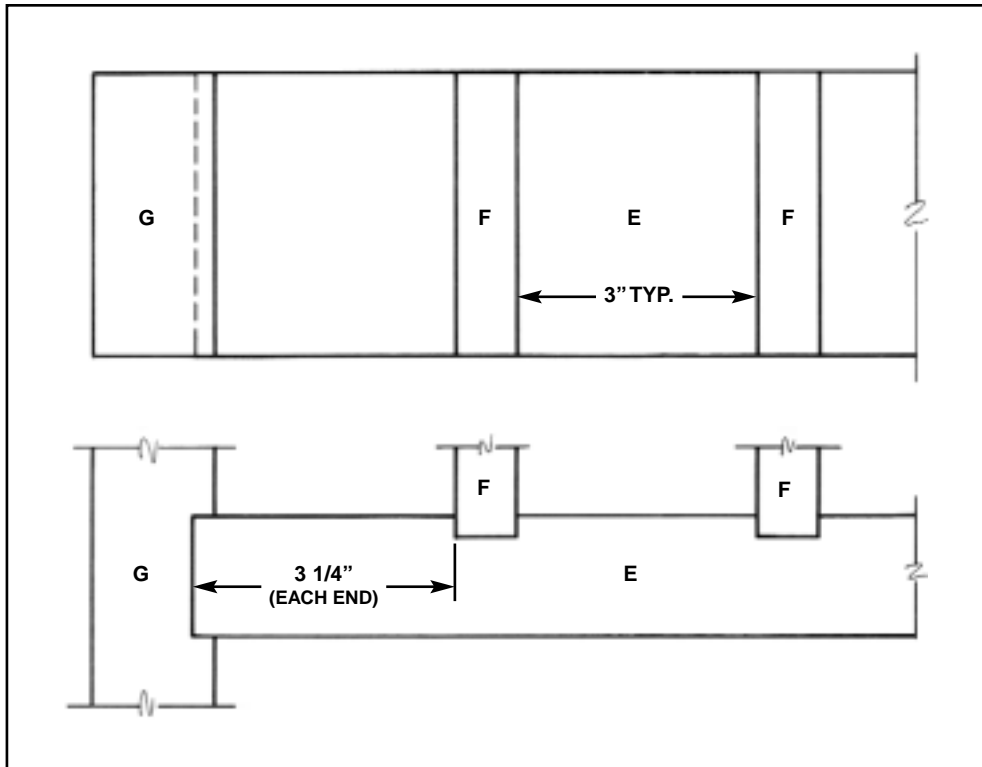


Figure 7

8. Glue and finish nail boards (F) to boards (E). See Figure 7.

9. To complete second panel, glue and finish nail assembly (E, F, G) to first panel (A, B, C, D). Repeat this step for third panel. Refer to Construction Diagram.

10. Cut 45-degree miter on (H) and (I). Glue and nail to top of panels. See Construction Diagram.

Assembly Instructions

Page Four

Read all instructions before beginning any work. Cut all material to sizes shown in cutting schedule.

11. Cut notches in boards (J) and (L). See Figure 8.
12. Glue and nail board (J) to boards (K). Glue and nail boards (L) to subassembly (J, K). Refer to Figure 8 and Construction Diagram.

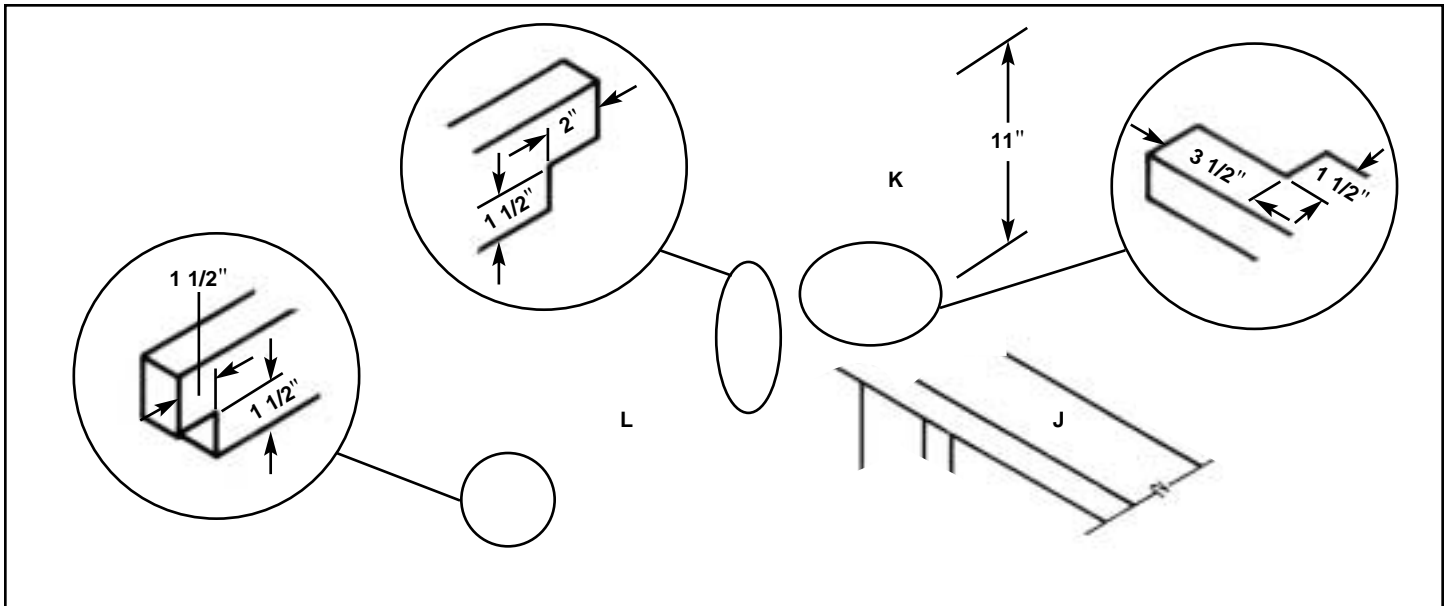


Figure 8

12. Cut 3/4" wide by 1/4" deep dados in boards (M) and (N). See Figures 9 and 10.
13. Use wood screws or nails and glue to attach (M) to (K). See Figure 10 for proper mounting location.

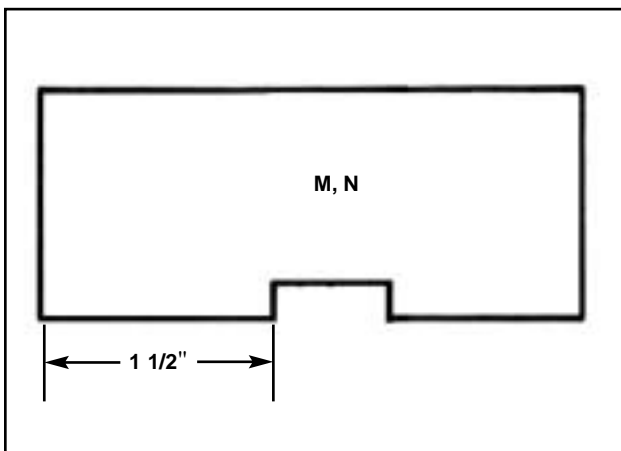


Figure 9

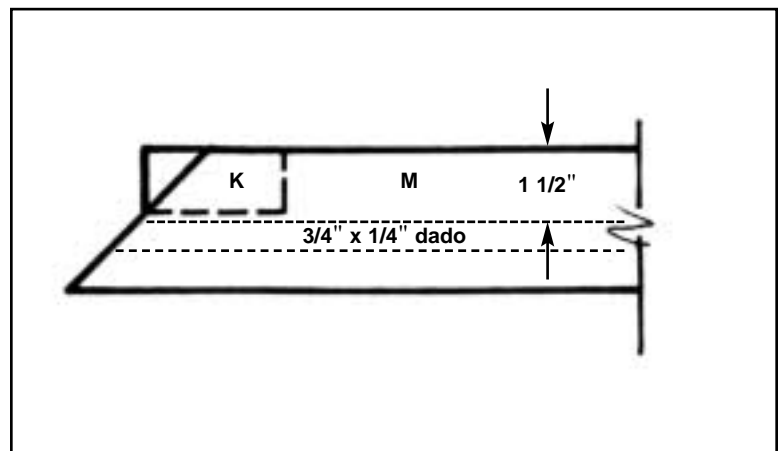


Figure 10

Assembly Instructions

Page Five

Read all instructions before beginning any work. Cut all material to sizes shown in cutting schedule.

14. Place boards (O) in grooves in board (M). Refer to Figure 11. Space equally, glue and nail.

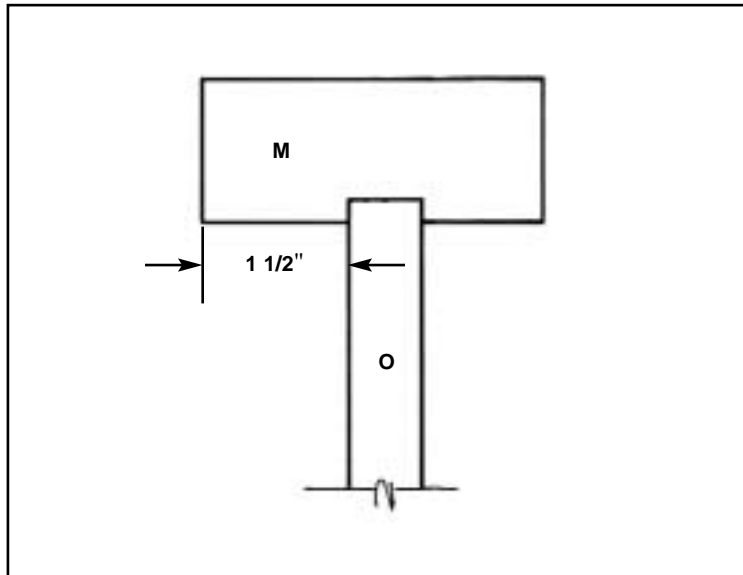


Figure 11

15. Glue and nail (O) boards to boards (L). Cut last board on each side to fit and notch same as board (L). Refer to Construction Diagram.
16. Glue and nail (N) to (K) and (O). Check for squareness.
17. Place planter unit in desired location. Notches in boards (L) rest on board (B). Refer to Construction Diagram. Check height of boards (K). Nail into place. (You may wish to place boards (K) on concrete or redwood, or seal against water and insects.)
18. Place boards (P) on ledge formed by boards (B, J, L) in bottom of planter to support plants. Refer to Construction Diagram.